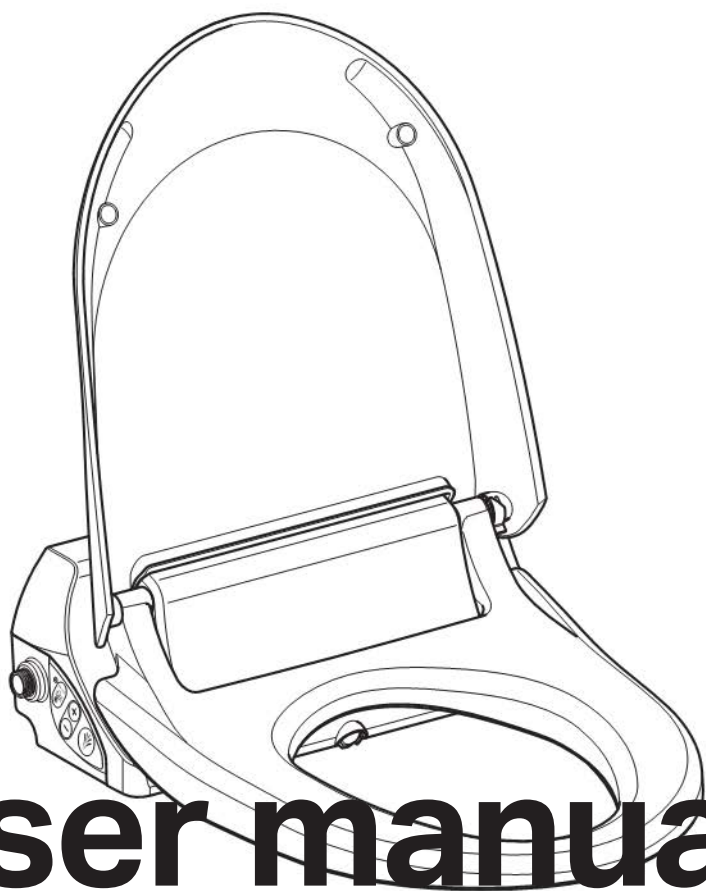


Geberit AquaClean 4000

■ GEBERIT



User manual

For true well-being	4
Easy to operate.....	4
Any questions about Geberit AquaClean?	4
Warranty card registration	4
Environment.....	4
Important notes	5
Intended use.....	5
Declaration of conformity	5
For your safety.....	5
Operation.....	5
Explanation of symbols	5
Geberit AquaClean 4000 operation	6
Overview of controls	6
Control panel	6
Integrated control panel	7
Using Geberit AquaClean 4000.....	8
What you should know	9
Spray shield	9
WC seat and lid with lowering function.....	9
Care and cleaning	10
Care instructions.....	10
Components.....	10
Permissible cleaning agents and cleaning equipment.....	11
Non-permissible cleaning agents and cleaning equipment	12
Tips.....	13
Cleaning the WC seat, WC lid and housing	13
Troubleshooting	14
Malfunctions during operation	14
Cleaning or replacing the spray nozzle	16
Cleaning or replacing the basket filter.....	17
Replacing the compensation pads.....	18
Emptying the storage water heater.....	19
Removing and fitting the WC seat and WC lid.....	20
Technical data	23
End user warranty	24

For true well-being

The Geberit AquaClean 4000 is an enhancement solution which reclaims the source of freshness and cleanliness: water. A single water jet cleans your bottom with a pleasant and gentle feel. Application is simple yet effective. Toilet paper or a towel can be used for drying.

Easy to operate

Operation is effortless. Simply press the clearly labelled buttons on the side of the unit.

Any questions about Geberit AquaClean?

Our after-sales team will be happy to respond to your enquiries.
Please contact your responsible Geberit sales company.

Warranty card registration

So that we can provide you with optimum support, please take the opportunity to register your contact details online - the process is very straightforward and takes next to no time to complete.

- www.i-love-water.com

Environment



In accordance with Directive 2002/96/EC WEEE on waste electrical and electronic equipment, manufacturers of electrical equipment are obliged to take back old equipment and to dispose of it correctly.

The symbol indicates that the product cannot be disposed of with non-recyclable waste. Old equipment should be returned directly to Geberit, where it will be disposed of appropriately.

Please contact your responsible Geberit sales company or visit www.geberit.com for addresses to which equipment can be returned.

Important notes

Intended use

The Geberit AquaClean 4000 is an enhancement solution which is designed for cleaning the anal area. Its use for any other purpose is deemed improper. Geberit accepts no liability for the consequences of improper use.

Declaration of conformity

You can obtain a copy of the declaration of conformity from your responsible Geberit sales company.

For your safety

- In the event of evidence of damage to the Geberit AquaClean, disconnect the unit from the mains immediately and contact Geberit Customer Service.
- If the mains connection cable is damaged, it must be replaced by a skilled person.
- Never open and repair the Geberit AquaClean yourself. Do not modify the unit or add any additional modules. The Geberit AquaClean contains live parts. Opening the unit exposes those present to fatal danger.
- Repairs may only be carried out by trained and authorised skilled persons using original spare parts and accessories.
- The Geberit AquaClean must only be connected to an earthed mains voltage conforming to the specification plate. For more technical data, see "Technical data"
- To clean and drain the storage water heater, disconnect the mains plug.

Operation

- The Geberit AquaClean may be used by children aged 8 years and up as well as persons with reduced physical, sensory or mental capabilities or a lack of experience with and knowledge about the device, provided that they are supervised or taught how to use the device safely and that they understand the hazards that may result from this. Children must not play with the device. Children must not carry out cleaning or maintenance work without supervision.
- Operation and maintenance work may only be performed by the operator or user as described in these operating instructions.
- The Geberit AquaClean 4000 may only be operated with potable water.

Explanation of symbols



DANGER

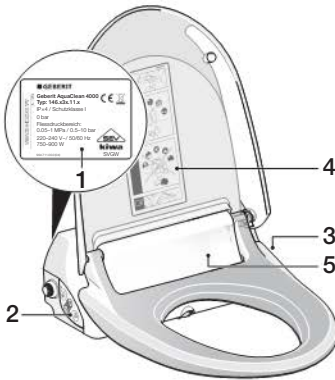
Refers to a potentially dangerous situation that may cause serious injury or death.



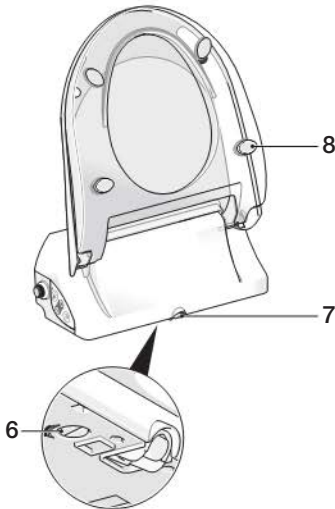
Refers to important information.

Geberit AquaClean 4000 operation

Overview of controls

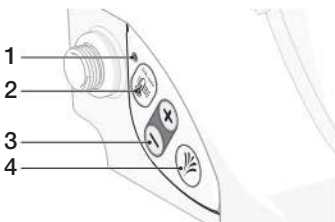


- 1 Specification plate and serial number
- 2 Control panel
- 3 Mains connection cable with plug
- 4 Cleaning instructions for end users
- 5 User detection



- 6 Drain screw
- 7 Spray arm
- 8 Compensation pad

Control panel



- 1 LED display of storage water heater
- 2 Water heater function ON/OFF/ economy mode
- 3 Spray intensity
- 4 Start and stop shower

Integrated control panel



<Shower>, start and stop

Press the button: The spray arm moves into position and the shower procedure starts. The shower automatically stops after 20 s.

You can stop the shower before this by pressing the <shower> button.

Press the button again: The shower stops.



<Spray intensity>

Press <+> or <-> during the shower procedure to change the spray intensity.

There are 5 spray intensity levels to choose from.

The memory function stores the most recently set spray intensity.



<Water heater function> ON/OFF/economy mode

Pressing the button switches the water heater function on, off or to economy mode.

LED	Meaning
Lights up blue	Heating element is switched on
Flashes blue	Switching to economy mode. In economy mode (factory setting), the heating element only switches on if user detection is activated. The warm-up time is 2 to 3 minutes.
Does not light up	Heating element is switched off or economy mode is switched on and user detection is not activated.
Flashes red	Error message (see "Troubleshooting")

Using Geberit AquaClean 4000

Shower concept:

- The spray nozzle is automatically cleaned with fresh water before and after each shower procedure.

You can control the intensity of the water jet.

The shower spray gradually cools down continuously during the shower procedure.



You start the toilet flush as usual by pressing the flush plate on the cistern. The Geberit AquaClean 4000 can be used as a normal toilet at any time.

- 1 Sit down on the toilet.
- 2 Press the <shower> button.



Result

The shower starts and stops after 20 s.

You can interrupt the shower procedure before this by pressing the <shower> button.

What you should know

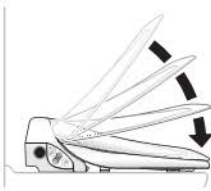
Spray shield

The spray shield can be used to test the performance of the Geberit AquaClean 4000 without anyone sitting on the toilet.



1 Spray shield

WC seat and lid with lowering function



Dampers cushion the WC seat and lid noiselessly and slow down closing. The seat and lid open just like any normal WC seat and lid.



Do not press the WC seat and lid down with your hand. This will damage the dampers.

Care and cleaning

Geberit AquaClean 4000 is a high-quality, easy-care product.

The WC seat and lid are easy to clean and, if necessary, to remove. Similarly, the spray nozzle can easily be replaced if it becomes blocked with limescale or clogged with dirt.



Aggressive cleaning agents can damage the material surface. Therefore, we ask that you follow the care and cleaning instructions below.

Care instructions

As a general rule, water, a mild washing-up liquid that is kind to the skin and a not scratching sponge or a soft cloth will suffice for regular cleaning. Take action to prevent the build-up of limescale deposits.

Components

To meet demands for design and performance, the Geberit AquaClean 4000 comprises a number of different components. Therefore, we ask that you follow the cleaning instructions below, as the warranty does not cover surface damage and material damage caused by improper use.



- 1 WC seat and WC lid
- 2 Spray arm
- 3 Housing

Permissible cleaning agents and cleaning equipment

Cleaning agents



Cleaning agents are permitted to have a low acid content, e.g. they may contain citric acid.



Cleaning agents should ideally be diluted with water.



Cleaning agents must be fluid.



Cleaning agents must be dermatologically tested.



The use of foaming cleaning agents is permitted.

Cleaning equipment



Sponge, eraser



Cloth, shaggy leather



Toilet brush

Non-permissible cleaning agents and cleaning equipment

Cleaning agents



The use of powdery cleaning agents, such as scouring powder or scouring agent, is not permitted.



The use of corrosive cleaning agents, such as concentrated drain cleaners, is not permitted.



The use of cleaning agents which may irritate the eyes or the skin is not permitted.



The use of cleaning agents with a high chlorine concentration is not permitted.



The use of abrasive cleaning agents, such as sand or scouring liquid, is not permitted.

Cleaning equipment



Scratching sponge



Steel wool, steel cleaner, scrubbing sponge

Tips

Problem	Fault clearance
Use of disinfectants	Apply disinfectant with a soft cloth and wipe the components clean. Test the disinfectant for suitability.
Spray nozzle blocked with limescale or clogged by foreign bodies in the water	To clean the spray nozzle, submerge it in standard limescale remover for a few hours.

Cleaning the WC seat, WC lid and housing



Do not use scratching sponges or scouring agents for cleaning. We also advise against the use of cleaners containing solvent or acid, limescale removers, vinegar and cleaning agents containing acetic acid. They corrode the surface and can lead to discolouration.

- 1 Wipe the components with a soft cloth and a mild washing-up liquid which is kind to the skin.
- 2 Dry the components with a soft cloth.

Troubleshooting



DANGER

Danger of fatal electric shock

- ▶ Never open and repair the device yourself
- ▶ Never replace damaged mains connection cables yourself
- ▶ Contact customer service

Malfunctions during operation

Malfunction	Cause	Fault clearance
No function	Mains plug is not connected to power outlet	Connect the mains plug
	Defective fuse on electrical distributor	Replace the fuse on the electrical distributor
	Fuse in mains connection cable is defective	Disconnect the mains plug and contact customer service
	Power supply is interrupted	Have the power supply checked by a skilled person
Shower water temperature is too low	Heating element is not switched on	Set the <water heater function> to ON on the control panel
	Warm-up time too short when heating element is in economy mode	Set the <water heater function> to ON on the control panel
Shower spray is too weak or no water is spraying out at all	Spray intensity is set too low	Increase the spray intensity
	Spray nozzle clogged or blocked with limescale	Clean or replace the spray nozzle
	Basket filter is clogged or blocked with limescale	Clean or replace the basket filter
Spray arm does not retract	Power supply is interrupted	Restore the power supply. The spray arm will retract automatically
	Enhancement solution is defective	Switch off the enhancement solution and contact customer service
Lowering function not working	Hydraulics are defective	Contact customer service
Water runs out of the overflow on the left next to the spray arm		Disconnect the mains plug, close the angle stop valve, and contact customer service

Malfunction	Cause	Fault clearance
WC seat rocks	Compensation pad is missing	Mount new compensation pads
	"Standard" compensation pads are mounted	Replace "standard" compensation pads with "elevated" compensation pads
LED flashes red: once every 2 s	Temperature sensor is defective	Contact customer service
LED flashes red: twice every 2 s	Angle stop valve is closed	Open the angle stop valve
	Basket filter is clogged or blocked with limescale	Clean or replace the basket filter
LED flashes red: three times every 2 s	Spray arm is blocked	Check the opening of the spray arm Check the nozzle position, push the nozzle on correctly Contact customer service
LED flashes red: four times every 2 s	Water is warmer than 45 °C. Thermal cut-out has triggered	Contact customer service
LED flashes red: five times every 2 s	Water pump no longer working properly or defective	Contact customer service

Cleaning or replacing the spray nozzle

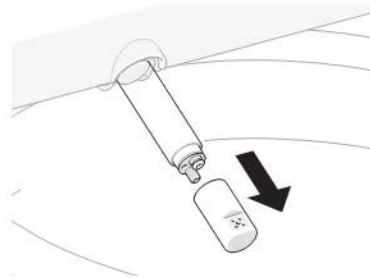
- 1 Lift up the WC seat and WC lid.
- 2 Press the <+> and <-> or <+> and <shower> buttons at the same time.



Result

The spray arm extends without spraying any water.

- 3 Hold the spray arm with one hand and carefully remove the spray nozzle with the other.



- 4 Clean and descale the spray nozzle.
- 5 Press the <+> and <-> or <+> and <shower> buttons at the same time.

Result

The spray arm returns to its starting position.

- 6 Clean the opening of the spray arm.
- 7 Press the <+> and <-> or <+> and <shower> buttons at the same time.

Result

The spray arm extends without spraying any water.

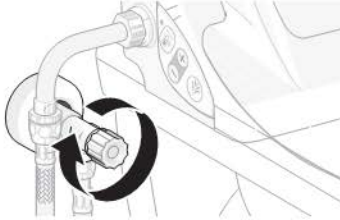
- 8 Connect the cleaned or new spray nozzle to the spray arm.
- 9 Press the <+> and <-> or <+> and <shower> buttons at the same time.

Result

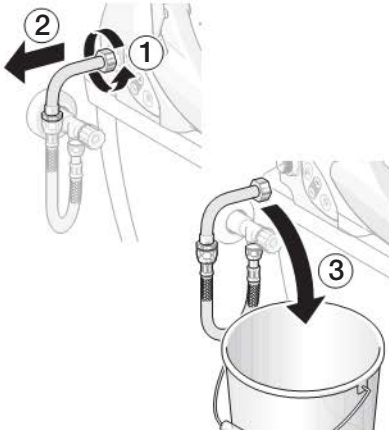
The spray arm returns to its starting position.

Cleaning or replacing the basket filter

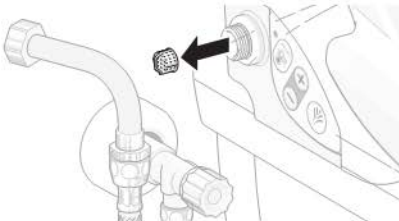
- 1 Close the angle stop valve.



- 2 Loosen the connection bend and empty the residual water into a receptacle.



- 3 Remove the basket filter.



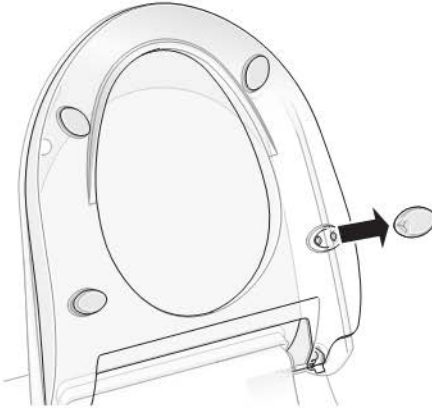
- 4 Clean and descale the basket filter.
- 5 Insert the cleaned or new basket filter.
- 6 Screw on the connection bend.
- 7 Open the angle stop valve.

Replacing the compensation pads



The Geberit AquaClean 4000 can be damaged if the compensation pads do not lie evenly on the WC ceramic appliance.

- 1 Lift up the WC seat and WC lid.
- 2 Remove the damaged compensation pad.



- 3 Install the new compensation pad.

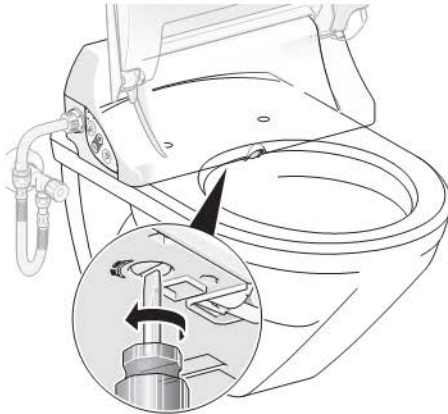


Emptying the storage water heater

If you remove the Geberit AquaClean 4000 (e.g. if you move house) or if you are not going to use it for a long period of time, we recommend that you empty the storage water heater.

As soon as you put the Geberit AquaClean 4000 back into operation, the storage water heater fills with water again automatically.

- 1 Close the angle stop valve.
- 2 Disconnect the mains plug.
- 3 Open the drain screw by turning it a quarter of a turn with a short screwdriver.



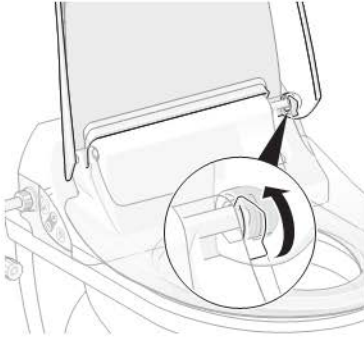
Result

The water from the storage water heater drains into the WC ceramic appliance.

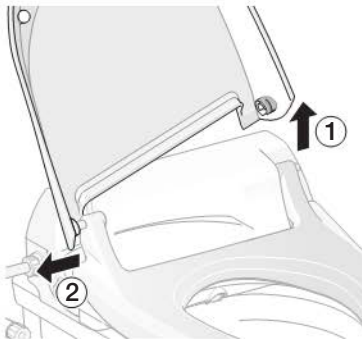
- 4 Close the drain screw.

Removing and fitting the WC seat and WC lid

- 1 Lift up the WC lid and turn the lid lock upwards.



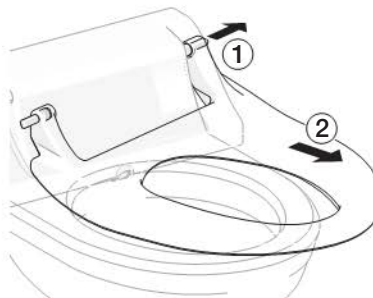
- 2 Lift the WC lid and pull it off the right hinge pin.



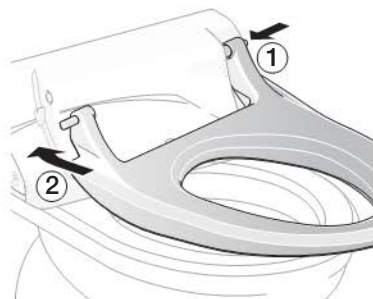
- 3 Pull out the left hinge pin and pull the WC seat slightly forwards.



- 4 Pull the WC seat off the right hinge pin and remove it.



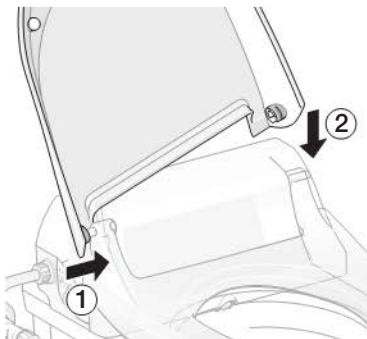
- 5 Slide the cleaned WC seat onto the right hinge pin.



- 6 Push in the left hinge pin and turn it to engage.



- 7 Slide the cleaned WC lid onto the left hinge pin and insert it again on the right side.



- 8 Turn the lid lock downwards and close the WC lid.

Technical data

Nominal voltage	220–240 V AC
Mains frequency	50 / 60 Hz
Power consumption	750–900 W
Power consumption economy mode / with heating element switched on	0.45 / 5.8 W
Protection degree	IPX4
Protection class	I
Length of mains connection cable	2 m
Flow rate, anal shower	0.9–1.5 l/min
Water temperature factory setting	37 °C
Storage temperature	–10 – +60 °C
Spray time factory setting	20 s
Number of shower pressure settings, shower spray	5
Flow pressure range	0.05–1 MPa 0.5–10 bar
Storage water heater capacity	0.9 l
Net weight	4.1 kg
Gross weight	7.5 kg
Maximum load WC seat / WC lid	150 kg
Operating temperature	10–40 °C

Changes

These operating instructions correspond to the device's state of the technology at the time of printing. Geberit reserves the right to make changes in terms of further development.

End user warranty

The following end user warranty is provided in addition to and does not affect your contractual partner's liability for defective products.

The Geberit company ("Geberit") responsible for the place of installation of the Geberit AquaClean product ("product") shall provide the end user with a warranty for the product identified by the serial number on the warranty card. The scope of this warranty is as follows:

1. Geberit guarantees that the product shall be free from material defects and manufacturing faults for a period of 3 years ("warranty period") calculated from the date of installation at the end user's premises. Warranty scope:
 - Within the first two years of the warranty period, a customer service representative authorised by Geberit shall rectify any material defects or manufacturing faults free of charge by repairing or replacing the defective parts.
 - In the third year of the warranty period, Geberit shall supply replacements for defective parts free of charge to the customer service representative authorised by Geberit and contracted by the end user to repair the product.

The end user shall not be entitled to assert more extensive claims against Geberit on the basis of this warranty.

2. Claims can only be made under the warranty if:
 - The product has been installed and put into operation by an installation company or by customer service personnel authorised by Geberit;
 - No modifications have been made to the product; in particular, no parts have been removed, replaced or added; and
 - The product defect has not been caused by improper installation or use, nor can it be attributed to inadequate care or maintenance;
 - Claims shall only be made during the third year of the warranty period if the end user has completed the enclosed warranty card in full and returned it to the Geberit company responsible for the place of installation within 90 working days of the installation date.
3. This warranty applies solely to places of installation in countries in which Geberit has its own sales company or is represented by a sales partner.
4. The warranty is exclusively subject to the substantive law of the country in which Geberit has its place of business. The United Nations Convention on Contracts for the International Sale of Goods is expressly excluded. The exclusive place of jurisdiction for all disputes arising from or in connection with this warranty is the location of Geberit's headquarters.

Plumber:

First name:

Surname:

Company:

Address:

Postcode:

Town:

Installation date:

Signature:

Serial number

bahama beige

white alpine

manhattan

pergamon

Geberit Sales Ltd.
Geberit House
Academy Drive
Warwick
Warwickshire CV34 6QZ

T (0)1926 516 800
T (0)1926 516 809
In Eire T +44 1622 717 811

→ www.geberit.co.uk

Geberit International Sales AG
Dubai Branch
P.O. Box 54715,
Dubai Airport Free Zone
East Wing, Bldg- 4A, 4th Floor, 401,
Dubai - UAE

T +971 4 204 5477
F +971 4 204 5497

→ www.geberit.ae

Geberit Southern Africa (Pty.) Ltd.
17-15 Street, Eastgate Gardens
Commercial Park
Sandton, South Africa

T +27 11 444 5070
F +27 11 444 5992

→ www.geberit.co.za