

**Geberit AquaClean
Mera Comfort**

■ GEBERIT



User manual

Contents

For your safety	4
Who is this product suitable for?	4
How is this product used?	4
What should you avoid?	4
Expected service life	5
General safety notes	5
List of symbols in this manual	6
List of symbols on the product	7
Getting to know your device	8
About Geberit AquaClean devices	8
Function overview of the device	8
The device at a glance	9
About the operating concept	11
How to use the device	14
Getting started	14
Adjusting the shower procedure to your personal needs	16
Quick saving user profiles	17
What happens after I use it?	17
How to program the device	18
Changing basic settings	18
Creating a user profile	22
Cleaning and descaling the device	24
Suitable cleaning agents and cleaning equipment	26
Care and maintenance main menu	27
Descaling the device	29
Cleaning the flushing area of the WC ceramic appliance	31
Cleaning the WC lid and housing	31
Cleaning the dryer arm and spray nozzle	32
Switching off the device	34
Switching on the device	35
Troubleshooting	39
The remote control is without function	40
The shower toilet is without function	41
Other functional errors	42
Sustainability	43
Conformity	44
End user warranty	45
Technical data	46

For your safety

Who is this product suitable for?

As a functioning toilet, the Geberit AquaClean Mera Comfort is suitable for all age groups. However, children must not carry out cleaning or maintenance work without supervision.

How is this product used?

The product is suitable for the following uses:

- as a shower toilet:
 - for cleaning the anal area
 - for cleaning the outer vaginal area
 - for odour extraction
- installation in heated indoor areas
- connection to the drinking water system
- operation with water from reverse osmosis systems



CAUTION

Damage to the device from aggressive descaling agents

- ▶ Only use Geberit AquaClean descaling agent in the device

What should you avoid?

The product must be used as intended. Do not:

- leave the WC seat during the shower procedure
- apply pressure to or place objects on the WC lid when the lid lifter is activated or deactivated
- sit on the WC lid while the lid lifter is activated
- immerse the remote control in liquid
- operate without plugs

Misuse

Geberit accepts no liability for the consequences arising from misuse.


Expected service life


The device is designed to have a service life of 10 years or 50,000 shower toilet uses.

General safety notes

The following safety notes apply for the entire duration of the product's life cycle:




- read the user manual before the first use of the product to familiarise yourself with the use of the product
- store the user manual for future reference
- do not stand on the WC lid or the WC seat
- if damaged, do not continue to use the device. If possible, isolate the device from the supply system and contact Geberit customer service
- do not open the device. It does not contain any components for the user to service or repair
- do not perform any changes or additional installations. Modifying the device runs the risk of fatal danger
- repairs may only be carried out by trained and authorised skilled persons using original spare parts and accessories
- operation and maintenance work may only be performed by the operator or user as described in this user manual
- always use the current version of the installation manual for installing the device if the Geberit AquaClean has been removed (e.g. if you move house)
- the Geberit AquaClean must only be connected to a mains voltage conforming to the specification plate. You will find additional technical data in the chapter entitled "Technical data"
- observe the manufacturer information at all times regarding the use of cleaning and descaling agents

 This document contains additional warning notes! Warning notes are usage and situation-specific safety notes. They provide warnings on specific hazards. Various sections of this document may therefore contain warning notes.

 This user manual corresponds to the state of the device technology at the time of printing. Geberit reserves the right to make changes in terms of further development. This documentation is also subject to change. A current version of this document and additional documents can be downloaded via www.geberit.com.



List of symbols in this manual

Table 1: Symbols in the manual

Symbol	Meaning
DANGER 	Indicates a hazard which, if not avoided, can lead to death or serious injury
CAUTION 	Refers to a potentially dangerous situation that may cause slight or moderate injury or material damage
	Refers to important information

List of symbols on the product

Table 2: Symbols on the product

Symbol	Meaning
	Read the safety notes and operating instructions before commissioning the product
	Danger of fatal electric shock

Getting to know your device

About Geberit AquaClean devices

The Geberit AquaClean device is a WC with integrated shower function. The Geberit AquaClean fulfils all the functions of a conventional toilet. Additional functions are subject to the equipment version of your product.

Function overview of the device

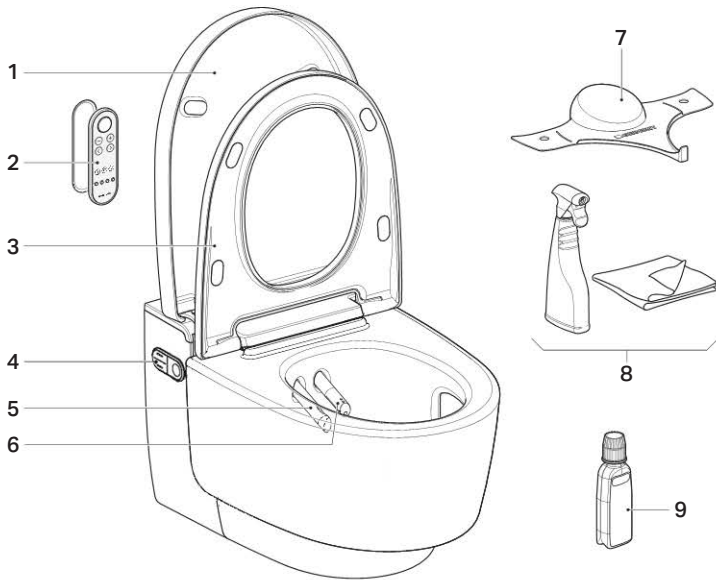
Hygiene functions:

- TurboFlush flush technology
- odour extraction in the WC ceramic
- WhirlSpray shower technology with individual spray arm position
- spray arm with oscillating motion
- extendable Lady shower nozzle integrated into the spray nozzle with individual spray arm position
- automatic shower arm cleaning before and after each shower procedure
- dryer functionality via dryer arm
- descaling programme

Comfort functions:

- when you approach it:
 - the WC lid opens and closes by means of a proximity sensor
 - the orientation light switches on when you approach it
 - the shower water heats up
 - the WC seat heats up
- spray intensity can be selected
- WC seat with SoftClosing
- remote control with LCD display
- all functions can be operated via remote control
- four individual user profiles can be stored
- shower toilet functions can be operated via a lateral ergonomic control panel

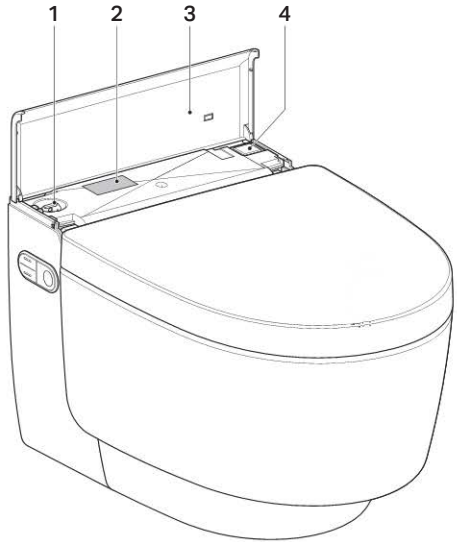
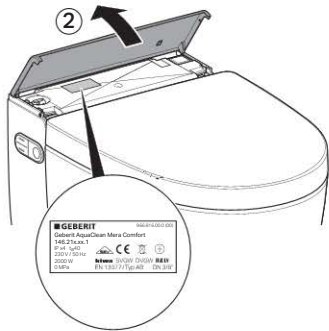
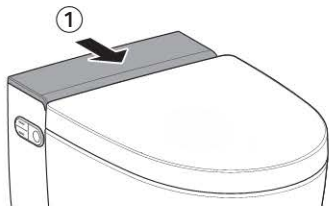
The device at a glance



- 1 WC lid with lid lifter function
- 2 Remote control with magnetic wall-mounted holder
- 3 WC seat with seat heating
- 4 Lateral control panel with status LED
- 5 Dryer arm with dryer nozzle
- 6 Spray arm with spray nozzle and Lady shower nozzle
- 7 Spray shield

Consumables:

- 8 Geberit AquaClean cleaning set (art. no. 242.547.00.1)
- 9 Geberit AquaClean descaling agent (art. no. 147.040.00.1)



- 1 Filling opening with plug for Geberit AquaClean descaling agent
- 2 Specification plate with serial number
- 3 Design cover with magnet
- 4 Power switch

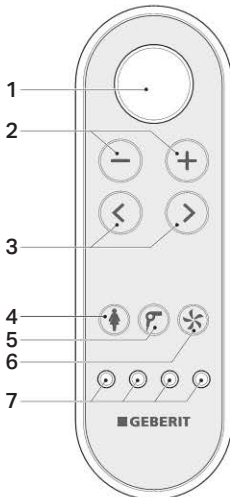
Operating concept

About the operating concept

The Geberit AquaClean Mera Comfort can be operated via remote control and the lateral control panel.

Front side of the remote control

All functions for daily use can be operated from the front side of the remote control.



- 1 <Shower> button: start and stop the spray functionality/lift or lower the WC lid/stop the dryer functionality and Lady shower
- 2 <-> / <+> buttons: decrease or increase spray intensity
- 3 <left>/<right> arrow keys: set the spray arm position
- 4 <Lady shower> button: start and stop the Lady shower
- 5 <Dryer> button: start and stop the dryer
- 6 <Odour extraction> button: start and stop odour extraction
- 7 <User profile> buttons: activate user profile 1-4

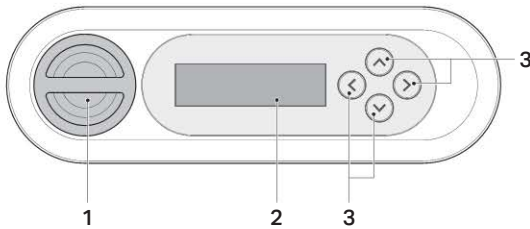
Four different user profiles can be stored via the <User profile> buttons on the remote control. See "Creating a user profile", page 22.



User profiles allow you to access your personal settings directly. Select your user profile as soon as you sit down.

Rear side of the remote control

You can access system settings and additional functions from the rear side of the remote control.



- 1 Battery compartment
- 2 Display
- 3 <up>/<down>, <left>/<right> arrow keys



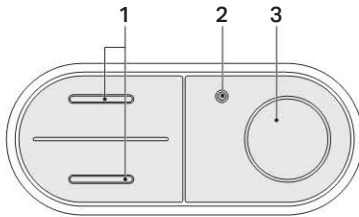
The remote control has a battery life of several years. See "Replacing the remote control battery", page 36.



If the remote control battery is depleted, you can use the lateral control panel instead.

Lateral control panel

The shower toilet functions of the device can be operated from the lateral control panel.



- 1 <up>/<down> buttons: decrease or increase spray intensity
- 2 Status LED
- 3 <Shower> button: start or stop anal shower or Lady shower

Table 3: Status LED on the control panel

LED	Meaning
Flashes blue	The device initialises after switching on
Lights up blue	Heating is switched on
Does not light up	Heating is switched off/economy mode is active
Lights up red	The device must be descaled (see "Descaling the device", page 29)
Flashes red	Malfunction message (see "Troubleshooting", page 39)
Lights up orange	The device is now descaling. You will not be able to use the shower toilet for the duration of the descaling process
Flashes orange	Performing an automatic water replacement (see "Automatic periodic water replacement", page 24)



The buttons of the control panel are designed ergonomically. Each button has an individual, tangible surface form.

How to use the device

Getting started

- i** The functions can be deactivated, activated or adjusted from the remote control. See "Changing basic settings", page 18.

The device is fitted with a proximity sensor and user detection when the WC seat is under load.



Figure 1: Detection by proximity sensor

When you enter the detection range of the proximity sensor:

- the orientation light activates
- the WC lid opens
- the WC seat heats up

When you leave the detection range, the WC lid closes automatically after a while.

When you sit down on the WC seat:

- the device enables the spray functionality
- the odour extraction unit starts

When you get up from the WC seat:

- the spray functionality deactivates
- the dryer functionality deactivates

Duration of the shower procedure

The spray time lasts between 30 and 50 seconds. It depends largely on the spray intensity and the defined shower water temperature.

- i** After a complete shower cycle, the device will require around two minutes to re-heat the water in the storage water heater. During this time, hot water will only be available from the rear spray nozzle.

Using the anal shower

Prerequisites

Sit down on the WC seat.

- ▶ Briefly press the <Shower> button on the lateral control panel or on the remote control once.



Result

The shower procedure starts with an oscillating motion.

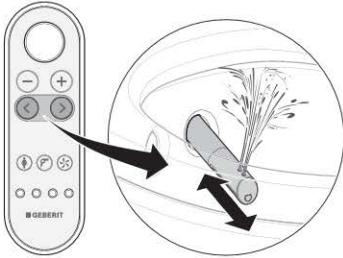
- i** Press the <Shower> button again to stop the shower procedure early.

Switching the oscillating motion of the anal shower on and off

Prerequisites

The shower procedure is running.

- ▶ The oscillating motion can be switched on and off by pressing the <left> and <right> arrow keys at the same time.



- i** The oscillating motion of the spray arm enhances the cleaning effect.

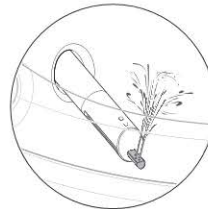
Using the Lady shower

- i** The woman's intimate area is a very sensitive zone and requires special and prudent care. The Lady shower must be set to your ergonomic conditions to achieve an optimal cleaning result. The position of the spray nozzle and the spray intensity must be selected so that the shower spray can penetrate the vagina.

Prerequisites

You are sitting down on the WC seat.

- ▶ Press the <Lady shower> button on the remote control. Or: press the <Shower> button on the lateral control panel for **two seconds**.



Result

The shower procedure starts.

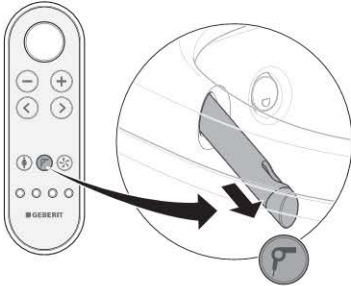
- i** Press the <Lady shower> button again to stop the shower procedure early.

Using the dryer

Prerequisites

You have ended the shower procedure.

- ▶ Press the <Dryer> button on the remote control.



Result

The drying procedure starts.

- i** Press the <Dryer> button again to stop the drying procedure early.

Adjusting the shower procedure to your personal needs

When entering the detection range of the proximity sensor, the basic settings are retrieved automatically. However, during the shower procedure, you can adjust the shower procedure to your personal needs.

Adjusting the spray intensity

Prerequisites

The shower procedure is running.

- ▶ Press the <up> button or the + > button to increase the spray intensity. Press the <down> button or the < - > button to decrease the spray intensity.



Result

The shower spray gets stronger or weaker, respectively.

- i** You can set the spray intensity in five stages.

Setting the spray arm position

Prerequisites

The shower procedure is running.

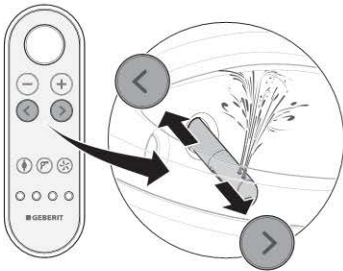


For female users:

set the spray arm position of the spray functionality to your ergonomic conditions so that it does not compromise the natural protection of the vaginal area.



Press the arrow keys on the remote control to position the spray arm.



Result

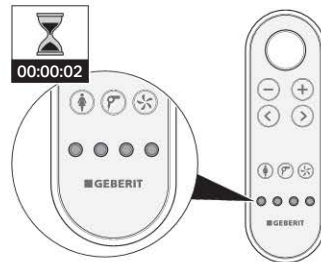
The spray arm is optimally positioned.



You can set the spray arm position in five stages.

Quick saving user profiles

Press one of the four user profile buttons for more than two seconds to save the current settings.



The following functions can only be configured from the rear side of the remote control:

- WC seat heating
- shower water temperature
- warm air temperature

See "Creating a user profile", page 22.

What happens after I use it?

After use, the device automatically prepares for the next use:

- the spray nozzle and Lady shower nozzle are rinsed thoroughly
- the WC lid closes automatically after a while
- the device is set to economy mode



If the WC seat is up, it will be closed automatically by the WC lid.

How to program the device

System settings can be configured from the rear side of the remote control.

The following main menus are available:

- [Basic settings]
- [Profile settings]
- [Care and maintenance]



- Press any button on the rear side of the remote control to activate the display. The display is automatically deactivated after 30 seconds to save battery life
- Select the desired setting using the <left>/<right> arrow keys
- Press the <up> arrow key for longer than two seconds to return to the [Basic settings] menu

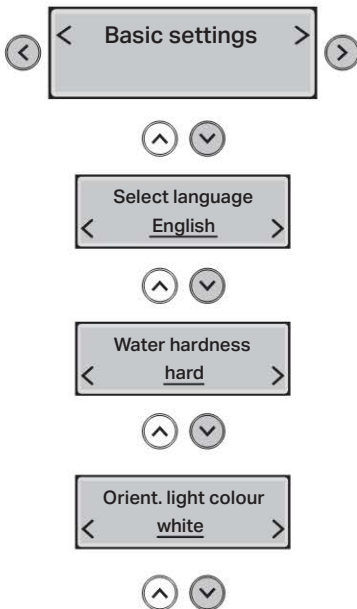
Changing basic settings

Prerequisites

Launch the [Basic settings] main menu using the <left>/<right> arrow keys on the rear side of the remote control.

Shown on display

Note

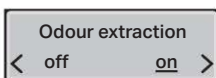
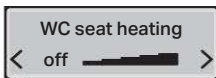
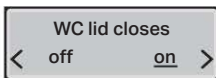
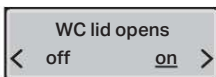
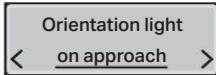


Adaptable hardness value:

hard/medium/soft

Orientation light colours:

white/blue/turquoise/magenta/
orange/yellow/warm white



Brightness of the orientation light

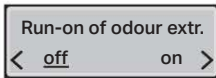
[off] = no orientation light
[on] = orientation light stays on permanently
[on approach] = orientation light switches on automatically as soon as a user is detected
[in the dark] = orientation light switches on as soon as a user is detected when ambient brightness is low

Sensor range of the lid lifter

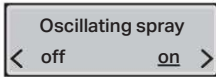
[on] = WC lid opens automatically
[off] = WC lid does not open automatically

[on] = WC lid closes automatically
[off] = WC lid does not close automatically

Temperature regulation of the WC seat heating



Odour extraction run-on function



Switching the oscillating motion of the spray arm on or off



Spray intensity of the anal shower



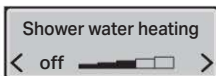
Spray arm position of the anal shower



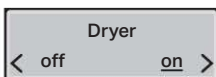
Spray intensity of the Lady shower

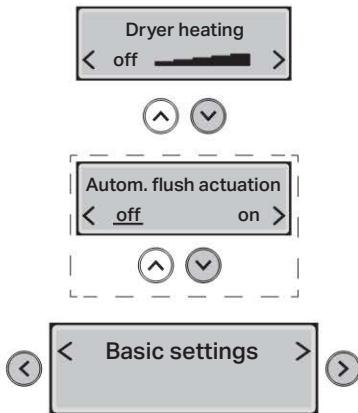


Spray arm position of the Lady shower



Temperature regulation of the shower water





Temperature regulation of the dryer

This menu only appears if the optional interface module for the external flush actuation is installed

Result

The settings were saved.

Creating a user profile

Prerequisites

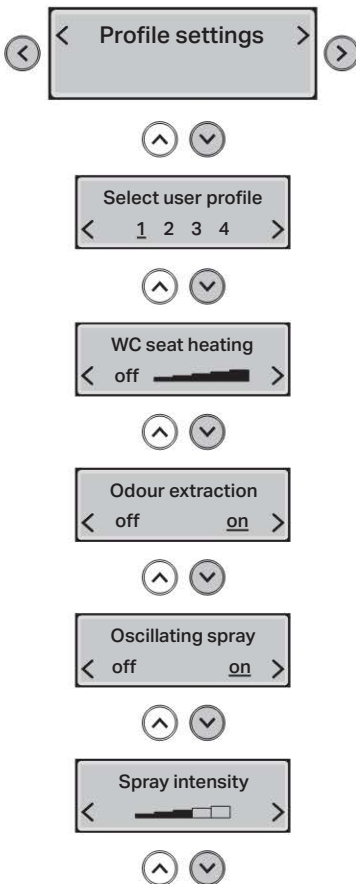
Launch the [Profile settings] main menu using the buttons on the rear side of the remote control.



- Press any button on the rear side of the remote control to activate the display. The display is automatically deactivated after 30 seconds to save battery life
- Select the desired setting using the <left>/<right> arrow keys
- Press the <up> arrow key for longer than two seconds to return to the [Basic settings] menu

Shown on display

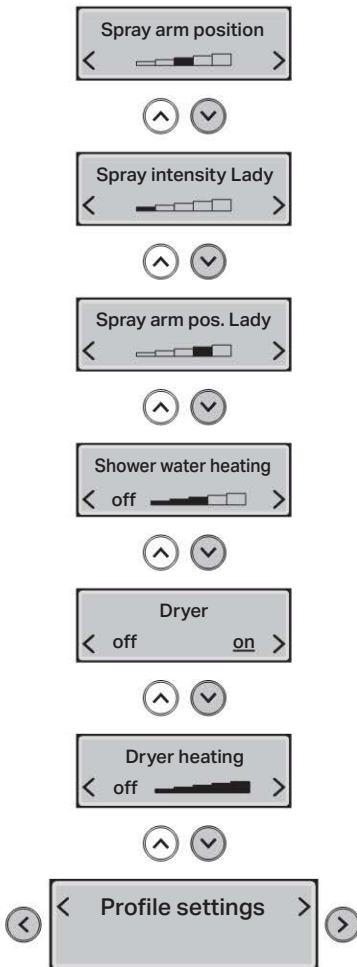
Note



Corresponds to the user profile buttons on the front side of the remote control

Temperature regulation of the WC seat heating

Spray intensity of the anal shower



 Spray arm position of the anal shower

 Spray intensity of the Lady shower

 Spray arm position of the Lady shower

 Temperature regulation of the shower water

 Temperature regulation of the dryer

Result

The settings were saved.

Cleaning and descaling the device

Cleaning coated WC ceramic appliances

The WC ceramic appliance has a special coating. This coating draws water drops together to form spheres which drip away very effectively. Residue such as limescale and dirt is taken up by the water drops and simply flushed away with them. This effect is very environmentally friendly, as aggressive WC cleaning agents are no longer required. See "Cleaning the flushing area of the WC ceramic appliance", page 31.

Caring for and cleaning smooth surfaces

All smooth surfaces can be cleaned hygienically with water and a mild, liquid cleaning agent that is kind to the skin. See "Cleaning the WC lid and housing", page 31.



Aggressive and scouring cleaning agents can damage the surface. Only use mild, liquid cleaning agents that are kind to the skin.

The Geberit AquaClean cleaning set (art. no. 242.547.00.1) includes a ready-made cleaning agent that is optimal for cleaning all Geberit AquaClean surfaces.

Automatic periodic water replacement

If the shower toilet is not used for an extended period of time, the device is flushed with fresh water. This ensures optimum shower water quality before usage.

If the device has not been used for two months:

- before the next usage, a water replacement is performed

If the device was switched off for longer than two months:

- after switching on, a water replacement is performed

General cleaning recommendations

Cleaning interval	Cleaning extent
Daily	<ul style="list-style-type: none"> Remove water drops with a soft lintfree towel to avoid limescale stains
Weekly	<ul style="list-style-type: none"> Clean all surfaces and corners thoroughly. See "Cleaning the WC lid and housing", page 31 Test spray nozzle and clean if required. See "Cleaning the dryer arm and spray nozzle", page 32
Monthly	<ul style="list-style-type: none"> Test spray nozzle and clean if required. See "Cleaning the dryer arm and spray nozzle", page 32 Rinse spray nozzle under running water to remove foreign substances Clean the WC ceramic appliance with Geberit AquaClean cleaning agent. See "Cleaning the flushing area of the WC ceramic appliance", page 31

Targeted disinfection

Disinfection is only recommended if there is a definite risk of infection as a result of germs.



Aggressive disinfectants can damage the surface. Only use alcohol-based disinfectants that are also suitable for hand and skin disinfection. Observe the safety notes from the manufacturer when handling hazardous substances.

Type of disinfection	Disinfection procedure
<p>Wet wipe disinfection</p> <p>Application:</p> <ul style="list-style-type: none"> on smooth surfaces that can be rubbed 	<ul style="list-style-type: none"> Apply the disinfectant to all surfaces Allow the disinfectant to take effect according to the manufacturer information Then rub the surfaces with single-use towels
<p>Spray disinfection</p> <p>Application:</p> <ul style="list-style-type: none"> only for surfaces that are not easily accessible and cannot be rubbed 	<ul style="list-style-type: none"> Spray the difficult-to-reach surface with disinfectant until wet Allow the disinfectant to take effect according to the manufacturer information

Suitable cleaning agents and cleaning equipment



CAUTION

Damage to the device from aggressive descaling agents

- ▶ Only use Geberit AquaClean descaling agent in the device



Aggressive and scouring cleaning agents can damage the surface. Use Geberit AquaClean cleaning agent.

The Geberit AquaClean cleaning set includes a ready-made cleaning agent that is optimal for cleaning all Geberit AquaClean surfaces.

Cleaning agent



Only use skin-friendly cleaning agents



Cleaning agents are permitted to have a low acid content, e.g. heavily diluted citric acid



The use of mildly foaming cleaning agents is permitted



Only use liquid cleaning agents



Water-diluted cleaning agents are preferred

Cleaning equipment



Use soft, fine pored sponges



Use lintfree, soft towels which are free of dust



Use a toilet brush

Care and maintenance main menu

Prerequisites

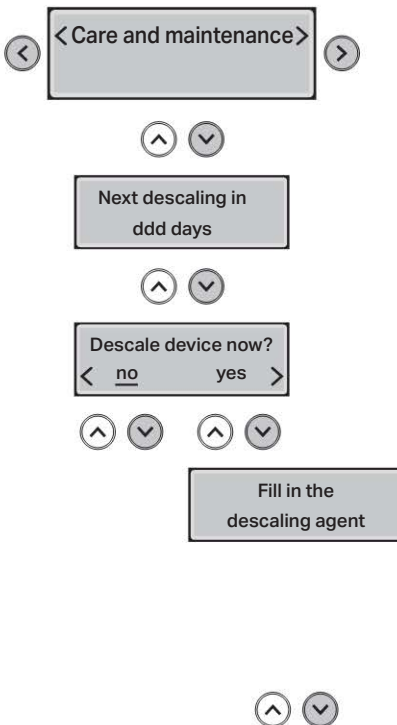
Launch the [Care and maintenance] main menu using the buttons on the rear side of the remote control.



- Press any button on the rear side of the remote control to activate the display. The display is automatically deactivated after 30 seconds to save battery life
- Select the desired setting using the <left>/<right> arrow keys
- Press the <up> arrow key for longer than two seconds to return to the [Basic settings] menu

Shown on display

Note



See also "Descaling the device", page 29

- Pour a bottle (125 ml) of Geberit AquaClean descaling agent into the filling opening
- Re-insert the plug after pouring in the descaling agent
- Remove splashes of descaling agent immediately with a damp towel

Start descaling?
 < no yes >

Note:

If you select "no", the descaling procedure will be cancelled and the descaling agent will be flushed out unused. The display shows [Device is flushing...]



Descaling time
 remaining mm minutes

Status messages of the automatic descaling procedure

Show device info?
 < no yes >



Model
 AquaClean Mera Comfort >

Type/Equipment version

< Article number
 146.xxx.xx.1 >

Geberit article number

< Serial number
 HBxxxxxxxxx >

Device serial number (required in case of service)

< Commissioning date
 dd.mm.yyyy

Date the device was first switched on

Error message
 xxxxx

An error code is only displayed in the event of an error. See "Troubleshooting", page 39



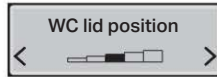
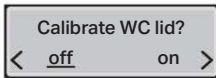
Demonstration mode
 < off on >

For demonstration purposes



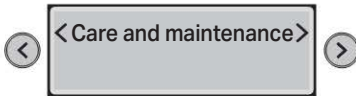
Activate demo mode?
 < no yes >

Safety query for activating demonstration mode



Safety query for setting the opening angle of the WC lid. See "Other functional errors", page 42

Set the opening angle of the WC lid



Result

The settings were saved.

Descaling the device

Information on descaling:

- you will need to descale the device at least once a year, or more often depending on the number of shower cycles
- during the descaling procedure, you can continue to use the device without the shower toilet functions
- the descaling procedure lasts up to 40 minutes. During this time, the LED lights up orange and you can establish the descaling status from the display. Once the orange LED switches off, the spray functionality is ready for operation again

Prerequisites

- The LED on the control panel lights up red
- At the push of a button, the display shows [Descale device now] on the rear side of the remote control

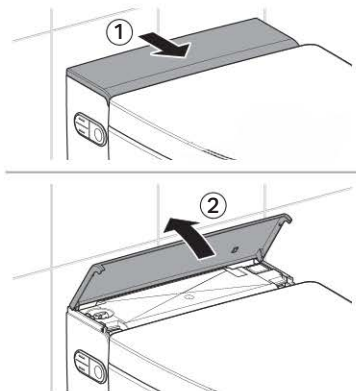


CAUTION

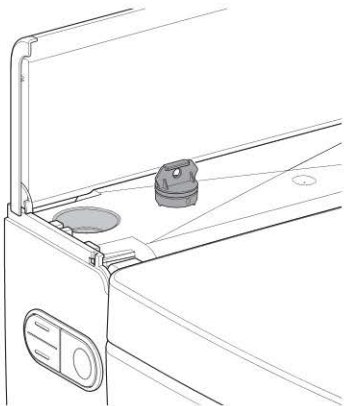
Damage to the device from aggressive descaling agents

- ▶ Only use Geberit AquaClean descaling agent in the device

- 1** Open the design cover.

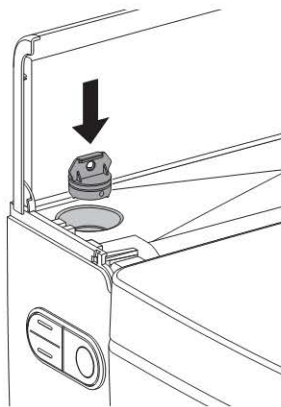


- 2** Remove the plug.



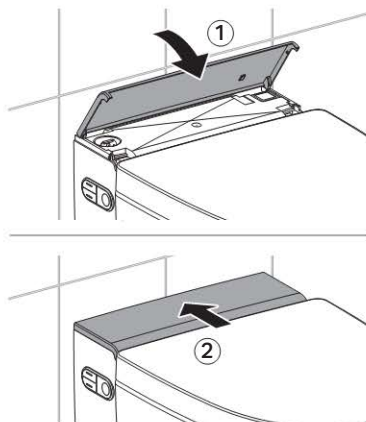
- 3** Select [Descalce device now?] from the [Care and maintenance] menu. Follow the instructions on the display.

- 4** Re-insert the plug.



- i** Remove splashes of descaling agent immediately with a damp towel.

- 5** Close the design cover.



Result

- The LED on the control panel lights up orange until the descaling procedure is complete.

Cleaning the flushing area of the WC ceramic appliance

- 1 Spray the WC ceramic appliance with Geberit AquaClean cleaning agent.

i Leave the cleaning agent for a few minutes to let it take effect.

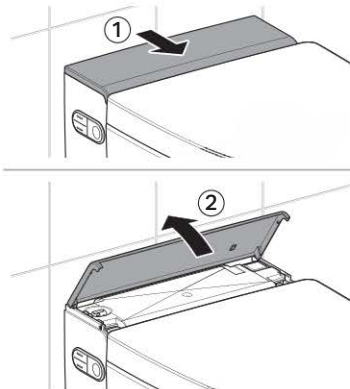
- 2 Finally, rinse the WC ceramic appliance with water.

i Stubborn stains can then be removed with a toilet brush.

Cleaning the WC lid and housing

i Be careful not to scratch the surface of the WC lid! Always place the WC lid down on a soft, non-scratching underlay.

- 1 Open the design cover.



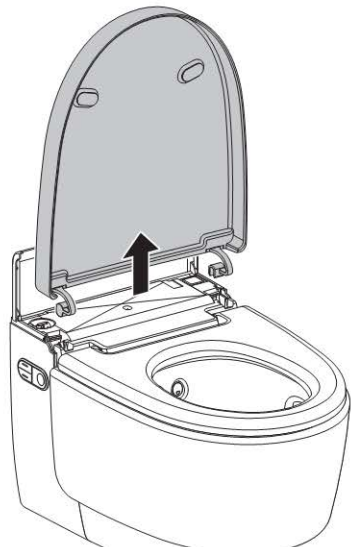
- 2 Gently lift the WC lid to activate the lid lifter.



Result

The WC lid lifts slowly and stops in the vertical position.

- 3 Lift the WC lid vertically out of its position.



4 Spray the surfaces with Geberit AquaClean cleaning agent. Wipe the surfaces with a soft, lintfree, damp towel.

5 Then dry the surfaces with a soft, lintfree towel.

6 After cleaning is complete, re-assemble the device in reverse order of disassembly.

- i** If the WC lid cannot be re-inserted (closing mechanism of the lid lifter activated):
- press the <Shower> button on the remote control to reset the hinge position
 - insert the WC lid vertically. Press the <Shower> button once again on the remote control to close the WC lid

Cleaning the dryer arm and spray nozzle

Prerequisites

The design cover has been assembled.

- i**
- Use a soft, lintfree towel
 - Use a diluted, liquid cleaning agent
-

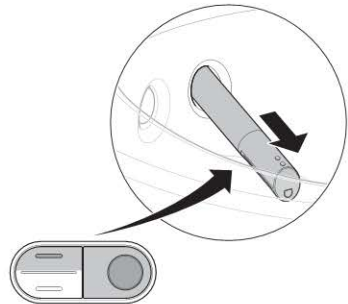
1 Enter the detection range of the device.

Result

The WC lid lifts up.

2 Lift the WC seat.

3 Press the <up> button and the <Shower> button at the same time.



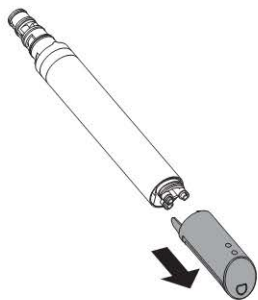
Result

The spray arm fully extends.

4 Twist the spray arm in any direction and remove it.



- 5** Pull out the spray nozzle for cleaning and descaling.

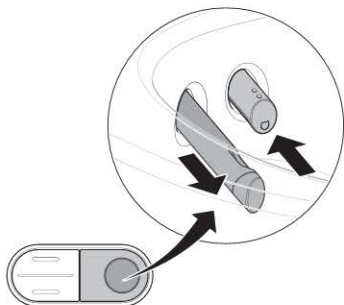


i Replace the spray nozzle if it can no longer be completely cleaned and descaled.

- 6** Spray the spray arm with Geberit AquaClean cleaning agent. Then rinse the spray arm with water.

- 7** Dry both parts carefully before re-assembling and re-fitting the spray arm.

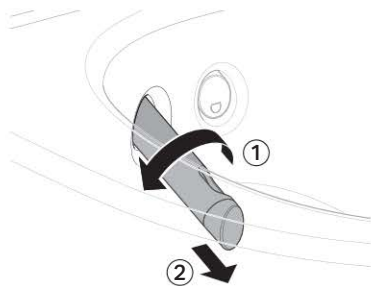
- 8** Press the <Shower> button to extend the dryer arm.



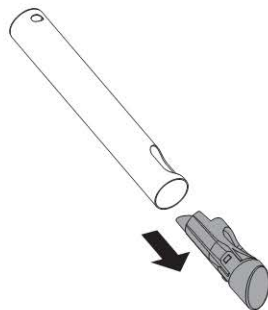
Result

The spray arm retracts and the dryer arm extends.

- 9** Unlock the dryer arm by turning it 90° to the left. Pull the dryer arm out.



- 10** Press the unlocking button on the rear side of the dryer arm and pull out the dryer nozzle.



- 11** Clean the dryer arm and dryer nozzle. Dry both parts carefully before re-assembling the dryer arm.

i Replace the dryer nozzle if it can no longer be completely cleaned.

12 Press the <Shower> button.



Result

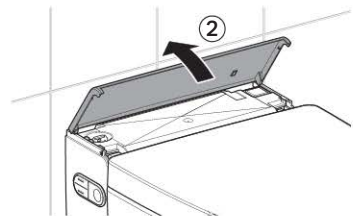
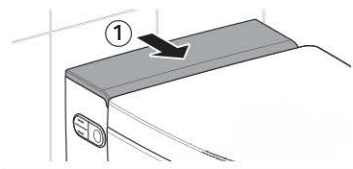
The dryer arm retracts completely.
The cleaning procedure is now complete.

Switching off the device

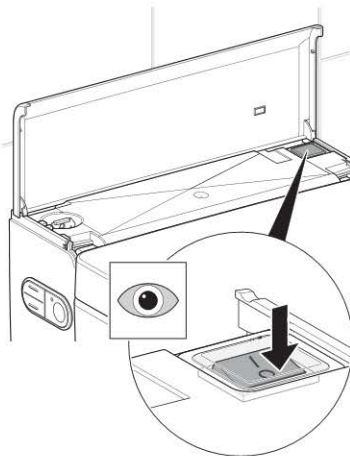
i Wait at least 30 seconds between the switch-off and switch-on procedures.

1 Close the WC lid.

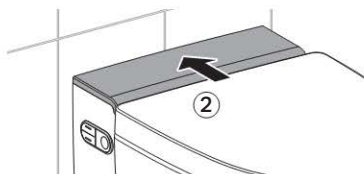
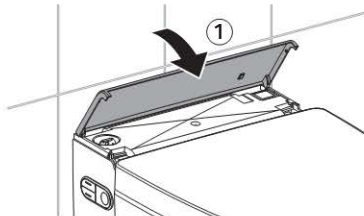
2 Open the design cover.



3 Press the power switch.



4 Close the design cover.

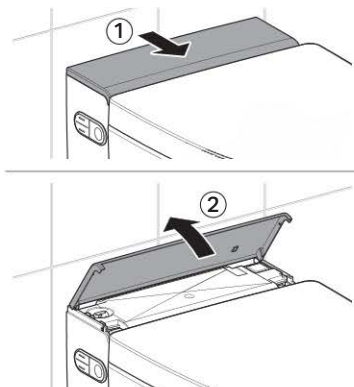


Switching on the device

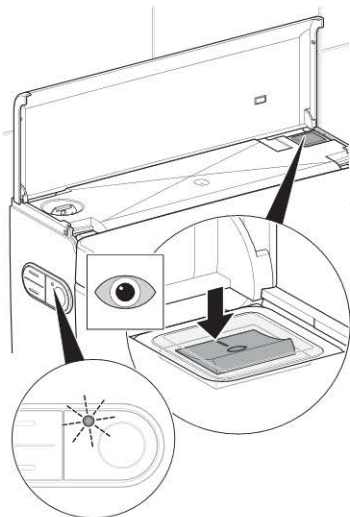


Wait at least 30 seconds between the switch-off and switch-on procedures.

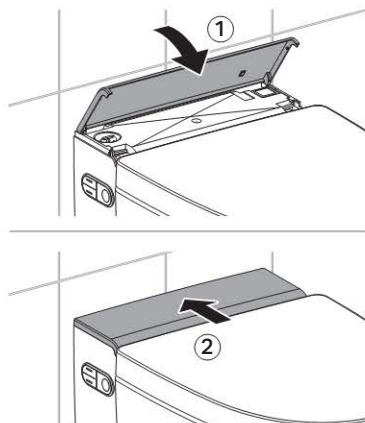
- 1 Open the design cover.



- 2 Press the power switch.



- 3 Close the design cover.



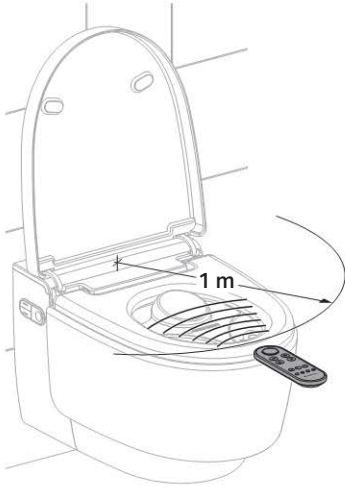
Result

The device initialises again after switching on.

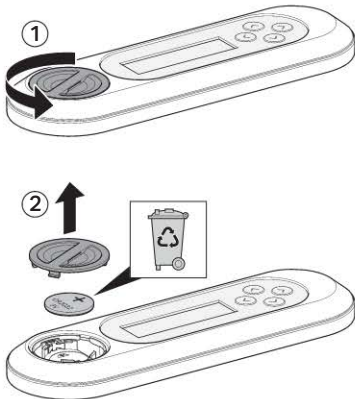
Replacing the remote control battery

Prerequisites

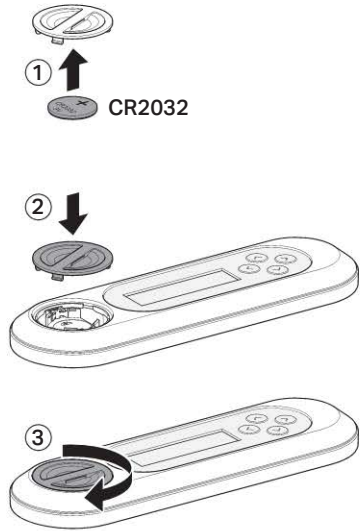
During the entire procedure, the remote control must be located in the reception range of the shower toilet.



- 1** Remove the used battery. Dispose of the used battery appropriately.



- 2** Insert a new CR2032 battery.



Re-assigning the remote control

i The device can only be operated with a single, assigned remote control.

- ▶ Press the < + > button on the remote control and the <up> button on the lateral control panel for approx. 10 seconds until **[Pairing ok]** appears on the display.



Result

The shower toilet can be controlled by remote control.

Replacing the ceramic honeycomb filter

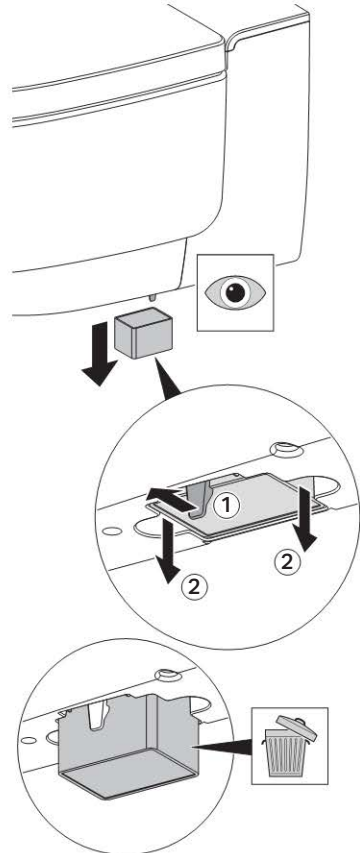
Prerequisites

Odour neutralisation is weak or ineffective.

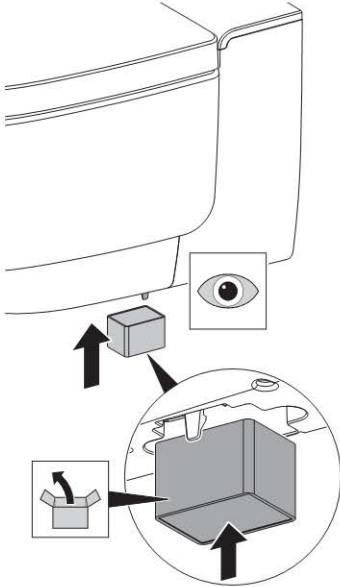
i Under average odour extraction usage conditions, the ceramic honeycomb filter has a service life of approx. five years.

i The ceramic honeycomb filter is located on the bottom right side of the device. It is fastened with a catch spring.

- 1 Bend the catch spring gently to the side to unfasten the ceramic honeycomb filter. At the same time, remove the used filter from the bracket.



2 Insert the new filter.



Result

The catch spring is used to fasten the new filter.
Odour neutralisation will now function again.

Troubleshooting

Device descaling message

During installation, the device was configured for the local water hardness. This adjustment prevents unnecessary descaling procedures and helps protect the environment.

Frequency	Message	Device behaviour
At least once a year	<ul style="list-style-type: none">• The LED on the control panel lights up red• The display shows [Descale device now]	<ul style="list-style-type: none">• You may continue to use the device as normal <p>Result: perform descaling as soon as possible.</p>
Maximum number of shower cycles reached depending on the water hardness	<ul style="list-style-type: none">• The LED on the control panel lights up red• The display shows [Descale device now]	<ul style="list-style-type: none">• You may continue to use the device as normal <p>Result: perform descaling as soon as possible.</p>
Double the maximum number of shower cycles reached depending on the water hardness	<ul style="list-style-type: none">• The LED on the control panel flashes red• The display shows [Descale device now]	<ul style="list-style-type: none">• To continue using the device as normal, the warning message must be confirmed in the display <p>Result: descale your device to prevent damage!</p>

The remote control is without function

The following table will help you with troubleshooting if:

- the remote control is without function.
- the remote control is unable to control the shower toilet.



Use the lateral control panel if the battery in the remote control is depleted.



If defective, switch off the device at the power switch. The power switch is located under the design cover.

Step	Description of problem	Fault clearance
1	The remote control display remains unresponsive when buttons are pushed	<ul style="list-style-type: none"> • Replace battery (type: CR2032)
2	The battery was replaced. The remote control display still remains unresponsive when buttons are pushed	<ul style="list-style-type: none"> • Contact customer service <p>Result: the remote control is defective.</p>
3	The remote control is unable to control the shower toilet. The battery is not depleted	<ul style="list-style-type: none"> • Replace or reset the fuse or residual current protective device in the electrical distributor • Switch off the shower toilet at the power switch for 30 seconds <p>Result: the device initialises again after switching on. Using the device does not trip any fuses or residual current protective devices.</p>
4	After replacing the battery, the message [Pairing ok] does not appear on the display. The remote control is unable to control the shower toilet	<ul style="list-style-type: none"> • Re-assign remote control. See "Re-assigning the remote control", page 37 <p>Result: the display shows [Pairing ok].</p>

The shower toilet is without function

The following table will help you with troubleshooting if the shower toilet is without function.



DANGER

Danger of fatal electric shock

- ▶ Do not open the device.
- ▶ Do not attempt to repair the device yourself.
- ▶ Do not modify the device.
- ▶ Do not replace damaged mains connection cables yourself.



The shower toilet can be used as a normal toilet even in the event of a malfunction. The spray arm and dryer arm must be fully retracted! You start the toilet flush as usual by pressing the buttons on the cistern.



If defective, switch off the device at the power switch. See "Switching off the device", page 34.

Step	Description of problem	Fault clearance
1	The shower toilet and the status LED on the control panel are without function	<ul style="list-style-type: none"> • Set power switch to "ON" • Connect the mains plug (if available) <p>Result: the device will re-initialise.</p>
2	Fuse or residual current protective device in the electrical distributor trips once	<ul style="list-style-type: none"> • Replace or reset the fuse in the electrical distributor • Reset the residual current protective device in the electrical distributor <p>Result: the device initialises again after switching on. Using the device does not trip any fuses or residual current protective devices.</p>
3	The fuse or residual current protective device in the electrical distributor trips again when using the device	<ul style="list-style-type: none"> • Do not replace or reset the fuse or residual current protective device in the electrical distributor again • Disconnect the mains plug (if available) • Contact customer service <p>Result: the device is defective.</p>
4	Unknown technical fault in the product	<ul style="list-style-type: none"> • Fuse or residual current protective device in the electrical distributor trips • Disconnect the mains plug (if available) • Contact customer service • Have the power supply tested by a skilled person <p>Result: the product is defective.</p>

Other functional errors

The following table will help you with troubleshooting if individual functions of the shower toilet have failed.



As long as the spray arm and dryer arm are fully retracted, the shower toilet can be used as a normal toilet even in the event of an error. You start the toilet flush as usual by pressing the buttons on the cistern.



If defective, switch off the device at the power switch. The power switch is located under the design cover.

Step	Description of problem	Fault clearance
1	The WC lid touches the wall	<ul style="list-style-type: none"> Set the opening angle of the WC lid so that it does not touch the wall. See "Care and maintenance main menu", page 27. <p>Result: the lid lifter only opens the WC lid to a certain point so that it does not touch the wall.</p>
2	The WC lid lifts slowly and stays in the vertical position	<ul style="list-style-type: none"> Check the position of the design cover Switch off the shower toilet at the power switch for 30 seconds
3	Odour neutralisation is weak or ineffective	<ul style="list-style-type: none"> Replace the ceramic honeycomb filter
4	The spray arm or dryer arm is not functioning correctly	<ul style="list-style-type: none"> Switch off the shower toilet at the power switch for 30 seconds <p>Result: the device initialises again after switching on.</p>
5	The cleaning effect of the shower has stopped	<ul style="list-style-type: none"> Clean or replace the spray nozzles Descale the device
6	When using the shower function, it no longer reaches the usual temperature	<ul style="list-style-type: none"> Descale the device Switch off the shower toilet at the power switch for 30 seconds <p>Result: the device initialises again after switching on.</p>

Sustainability

Geberit and sustainability

As the European market leader in the sanitary industry, Geberit stands for water saving, resource efficiency and sustainable building. The Group has proven for decades that long-term business success is compatible with environmentally friendly actions and social policies. A company management geared to sustainability helps to save costs while minimizing risks at the same time. Geberit aims to act as a role model and set standards for its customers, suppliers and other partners. This means creating water-saving and sustainable products, using safe, environmentally friendly and resource-efficient production practices, engaging in purchasing and logistics activities with high environmental and ethical standards, and offering excellent working conditions for more than 6000 dedicated and highly qualified employees worldwide. One way in which the company is showing its awareness of social responsibility is by participating in water relief projects around the world.

Ecodesign – ecobalance

The basis for sustainable products is formed by a systematic innovation process in which product materials and functional principles are chosen that are as environmentally friendly as possible, risks are minimized and a high degree of resource efficiency is strived for. We can supply a detailed ecobalance for this product upon request.

Tips for reducing the ecological footprint

This product was developed with the utmost care, also with regard to the consumption of energy, water and resources (see also technical data). You can reduce the ecological footprint of the product by

- switching off the device when you go on holiday.
- manually interrupting the spray functionality and thus saving hot water.
- using as little paper as possible for drying.
- switching off the heating function of the storage water heater.
- using environmentally friendly cleaning agents.
- servicing the device regularly and handling it with care.
- returning the device to Geberit or a designated partner for appropriate disposal.

Constituent parts

This product conforms to the requirements of Directive 2011/65/EU RoHS (Directive on the Restriction of the Use of Certain Hazardous Substances in Electrical and Electronic Equipment) and is free of environmental pollutants such as lead, mercury, cadmium and chrome VI.

The European chemical regulation REACH (1907/2006/EC), which regulates the registration, assessment, approval and restriction of certain chemical substances, is also complied with.

Disposal of waste electrical and electronic equipment



In accordance with Directive 2012/19/EU (WEEE-II), manufacturers of electrical equipment are obliged to take back old equipment and to dispose of it appropriately.

The symbol indicates that the product cannot be disposed of with non-recyclable waste. Old equipment should be returned directly to Geberit, where it will be disposed of appropriately. Please contact your responsible Geberit sales company for addresses to which equipment can be returned.

Conformity

Declaration of conformity

You can obtain a copy of the declaration of conformity from your responsible Geberit sales company.

End user warranty

The following end user warranty is provided in addition to and does not affect your contractual partner's liability for defective products.

The Geberit company ("Geberit") responsible for the place of installation of the Geberit AquaClean product ("product") shall provide the end user with a warranty for the product identified by the serial number on the warranty card. The scope of this warranty is as follows:

1. Geberit guarantees that the product shall be free from material defects and manufacturing faults for a period of three years ("warranty period") calculated from the date of installation at the end user's premises. Warranty scope:
 - 1.1. Within the first two years of the warranty period, a customer service representative authorised by Geberit shall rectify any material defects or manufacturing faults free of charge by repairing or replacing the defective parts.
 - 1.2. In the third year of the warranty period, Geberit shall supply replacements for defective parts free of charge to the customer service representative authorised by Geberit and contracted by the end user to repair the product.

The end user shall not be entitled to assert more extensive claims against Geberit on the basis of this warranty.

2. Claims can only be made under the warranty if:
 - 2.1. the product has been installed and put into operation by an installation company or by customer service personnel authorised by Geberit;
 - 2.2. no modifications have been made to the product; in particular, no parts have been removed, replaced or added;
 - 2.3. the product defect has not been caused by improper installation or use, nor can it be attributed to inadequate care or maintenance;
 - 2.4. claims shall only be made during the third year of the warranty period if the end user has completed the enclosed warranty card in full and returned it to the Geberit company responsible for the place of installation within 90 working days of the installation date.
3. This warranty applies solely to places of installation in countries in which Geberit has its own sales company or is represented by a sales partner.
4. The warranty is exclusively subject to the substantive law of the country in which Geberit has its place of business. The United Nations Convention on Contracts for the International Sale of Goods is expressly excluded. The exclusive place of jurisdiction for all disputes arising from or in connection with this warranty is the location of Geberit's headquarters.



→ www.geberit-aquaclean.com/registration

Technical data

Nominal voltage	230 V AC
Mains frequency	50 Hz
Power consumption	2000 W
Power consumption standby	< 0.5 W
Protection degree	IPX4
Protection class	I
Mains connection	Mains connection via system plug with flexible three-wire sheathed cable
Spray time	30–50 s
Number of shower pressure settings, shower spray	5
Water temperature	34–40 °C
Operating temperature	5–40 °C
Flow pressure range	50–1000 kPa 0.5–10 bar
Flow pressure min.	50 kPa 0.5 bar
Calculated flow rate	0.03 l/s
Maximum load WC seat	150 kg

**Geberit Sales Ltd.
Geberit House
Academy Drive
Warwick
Warwickshire CV34 6QZ**

T (0)1926 516 800

T (0)1926 516 809

In Eire T +44 1622 717 811

→ www.geberit-aquaclean.co.uk

**Geberit International Sales AG
Dubai Branch
P.O. Box 54715,
Dubai Airport Free Zone
East Wing, Bldg- 4A, 4th Floor, 401,
Dubai - UAE**

T +971 4 204 5477

F +971 4 204 5497

→ www.geberit.ae

**Geberit Southern Africa (Pty.) Ltd.
17-15 Street, Eastgate Gardens
Commercial Park
Sandton, South Africa**

T +27 11 444 5070

F +27 11 444 5992

→ www.geberit.co.za